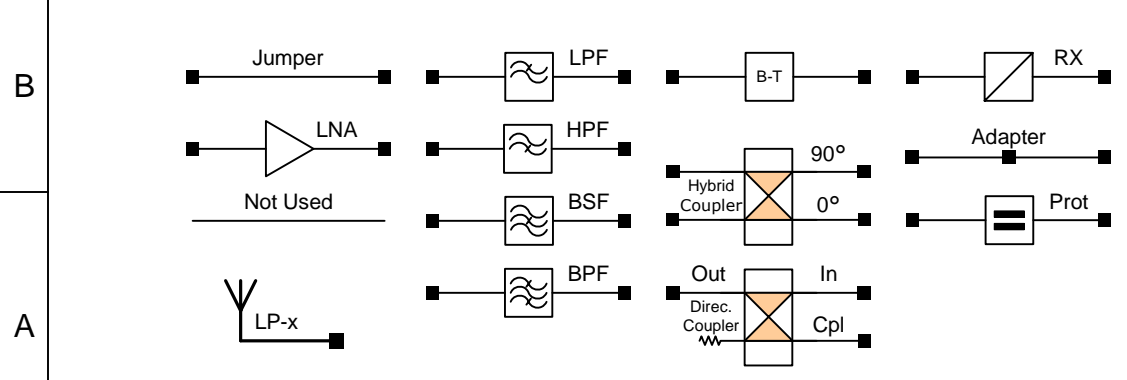


Antenna	Jumper	Band Reject Filter	Preamplifier Assy.	Jumper	Jumper	Bias-TEE	Jumper	Band Reject Filter	Receiver
CLP5130-1N	LMR-240	PAR Custom VHF-FM	ZX60-33LN+	TWS-400	LMR-240	ZFBT-4R2G-FT+	LMR-240	Mini-Circuits NSBP-108+	CALLISTO
			ZFBT-4R2G-FT+						s/n NA001
	3.1 m			32.0 m	1.0 m		1.0 m		
Connector N-F	N-M Connector N-M	N-F Connector SMA-F	SMA-M Connector N-F	N-M Connector N-F	N-M Connector N-M	N-F Connector N-F	N-M Connector N-M	N-F Connector N-M	
Gain	Loss	Loss	Gain	Loss	Loss	Loss	Loss	Loss	
7.0 dBi Nominal	0.5 dB	1.5 dB	20.5 dB (net)	2.7 dB	0.2 dB	0.5 dB	0.2 dB	0.4 dB	
	400 MHz	400 MHz	400 MHz	400 MHz	400 MHz	400 MHz	400 MHz	400 MHz	
								Net Losses	6.0 dB
								Net Gains	+27.5 dB
								Total (400 MHz)	21.5 dB



REV.	DESCRIPTION	DATE	BY	DRAWN BY
				WHITHAM D. REEVE
				FILENAME
				CALLISTO_TRANSMISSIONBUDGET.VSD
				TITLE
				CALLISTO Transmission Budget
2.1	Updated	01-Jun-2012	WR	
2.0	Record - Interim System	03-Nov-2011	WR	
1.0	Original issue	17-Mar-2011	WR	