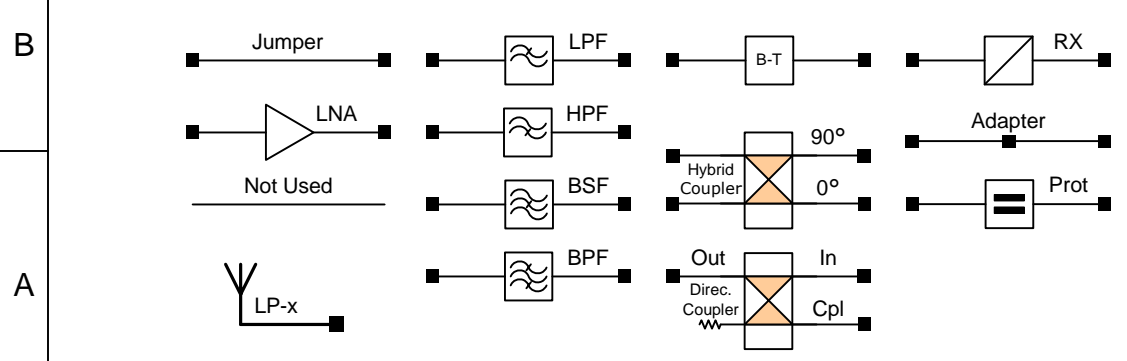


Antenna	Jumper	Jumper			Protector Assy	Jumper	High Pass Filter	Adapter	Receiver
Shakespeare	LMR-240	TWS-400			L-Com AL-NFNFBHP-9	LMR-240	Mini-Circuits BHP-150+		Icom MXA-5000
Galaxy 5325-XT (8 ft)					90 V				
Elevation (center) 23.1 m	6.2 m	22.5 m				7.0 m			
Connector UHF-F	UHF-M Connector N-F	N-M Connector N-M			N-F Connector N-F	N-M connector BNC-M	BNC-F Connector BNC-M	BNC-F : UHF-M	UHF-F Connector
Gain	Loss	Loss			Loss	Loss	Loss	Loss	
6.0 dBd / 8.1 dBi	0.6 dB	1.2 dB			0.2 dB	0.7 dB	0.2 dB	0.0 dB	
161 MHz	161 MHz	161 MHz			161 MHz	161 MHz	161 MHz		
Collinear Dipole									
								Net Losses	2.9 dB
								Net Gains	8.1 dB
								Total	5.2 dB



REV.	DESCRIPTION	DATE	BY
2.1	Install MXA-5000	024-May-2012	WR
2.0	Record	03-Nov-2011	WR
1.0	Original issue	17-Mar-2011	WR

DRAWN BY	WHITHAM D. REEVE
FILENAME	AIS_TRANSMISSION BUDGET.VSD
TITLE	CALLISTO Transmission Budget