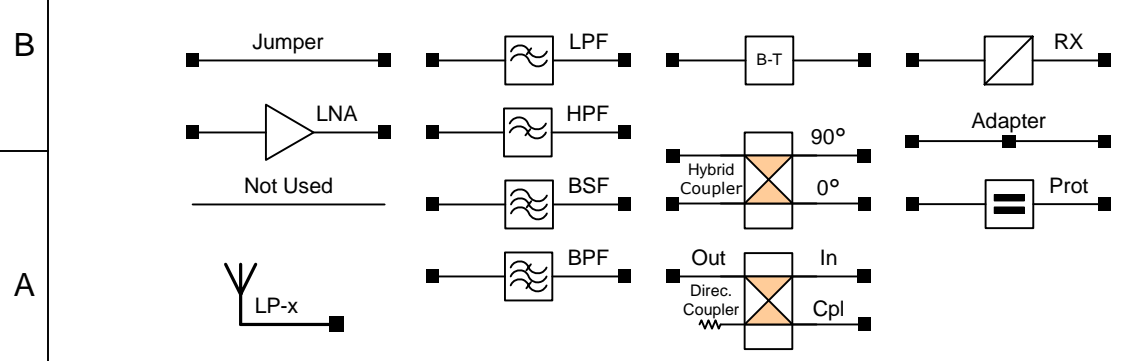


Antenna		Jumper		Protector Assy	Jumper	Feed-Thru Coupler	Jumper	Adapter	Receiver
DPD Productions		TWS-400		L-Com AL-NFNFBHP-9	RG-58A/U		RG-58A/U		RadarGadgets
ADS-B Vertical Outdoor				90 V					PlaneGadget
Elevation (center) 21 m		23.2 m			1.2 m		3.0 m		
Connector N-F		N-M Connector N-M		N-F Connector N-F	N-M connector BNC-M	BNC-F coupler BNC-F	BNC-M connector BNC-M	BNC-F : SMA-M	SMA-F Connector
Gain		Loss		Loss	Loss	Loss	Loss	Loss	
9.0 dBi		3.7 dB		0.2 dB	0.8 dB	0.1 dB	1.7 dB	0.0 dB	
1090 MHz		1090 MHz		1090 MHz	1090 MHz	1090 MHz	1090 MHz	1090 MHz	
Collinear Dipole									
Omni-Directional									
								Net Losses	6.5dB
								Net Gains	9.0 dB
								Total	2.5 dB



REV.	DESCRIPTION	DATE	BY
1.0	Record	14-Oct-2013	WR

DRAWN BY	WHITHAM D. REEVE
FILENAME	PLANEPLOTTER_TRANSMISSION BUDGET.VSD
TITLE	PlaneGadget Transmission Budget