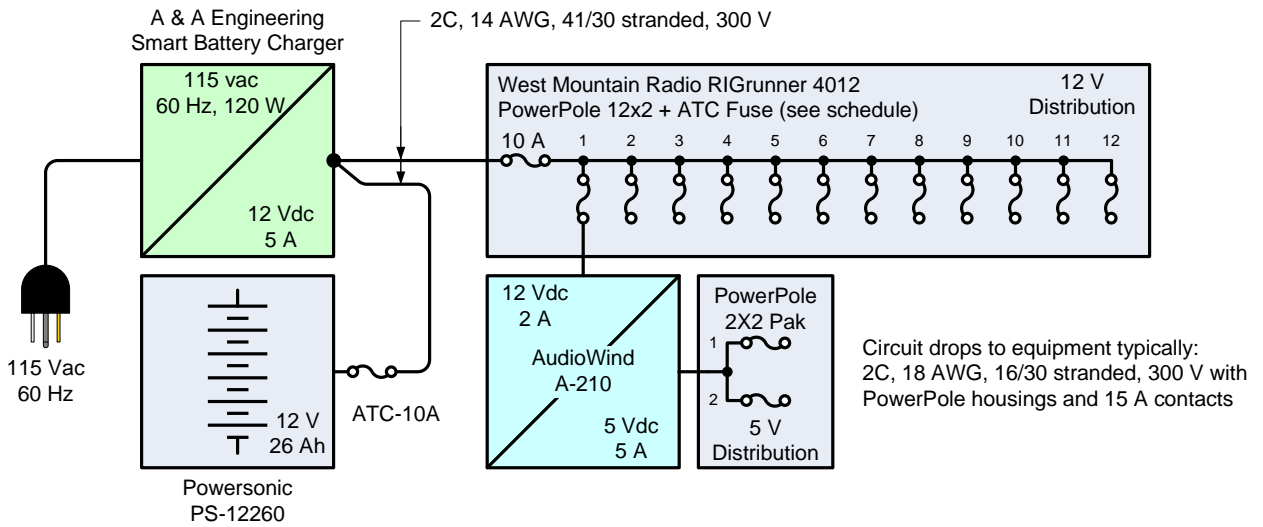
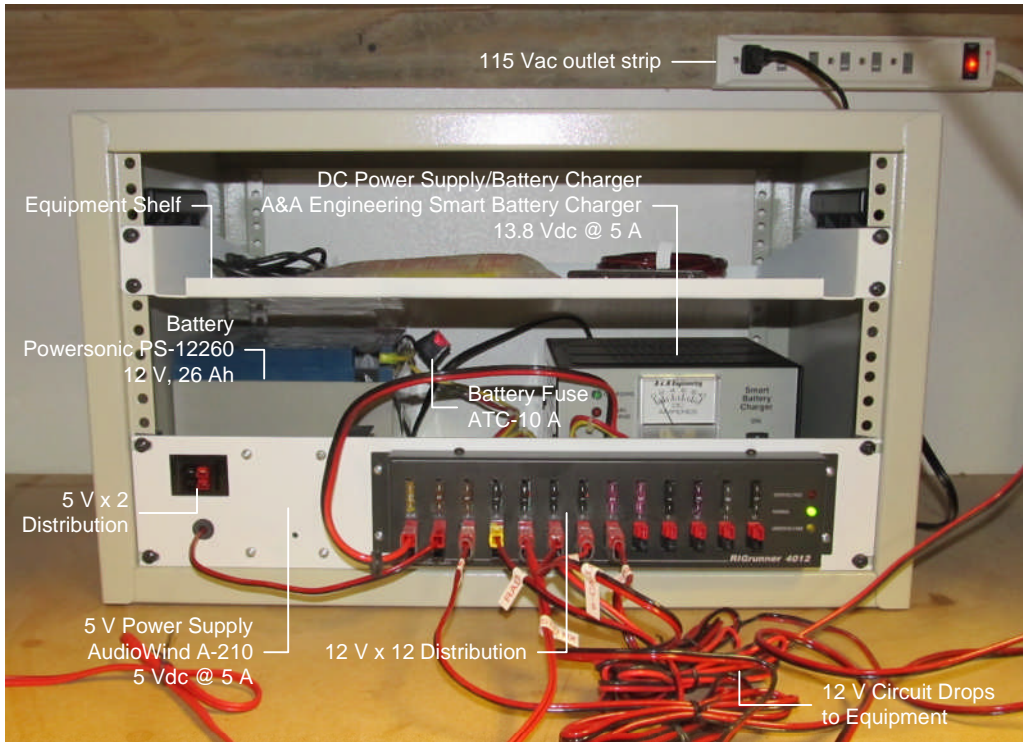


8 7 6 5 4 3 2 1

H
G
F
E
D
C
B
A



Power Cable and Fuse Schedule

Position	Equipment	Connector	Size	Polarity	PowerPole	Load (mA)	Fuse (A)
12 Vdc							
1	5 Vdc power supply	Blunt	N/A	N/A	Red/Black	2000	5
2	SAM-III	Coaxial	2.1 x 5.5 mm	Center +	Red/Black	100	1
3	Radiation	Coaxial	2.1 x 5.5 mm	Center -	Yellow/Black	50	1
4	e-CALLISTO Rx	DIN			Red/Black	250	1
5	e-CALLISTO LNA	Coaxial	2.1 x 5.5 mm	Center +	Red/Black	50	1
6	LAN Switch	Coaxial	2.1 x 5.5 mm	Center +	Red/Black	1000	2
7	Serial Server	Coaxial	2.5 mm audio	Tip +	Red/Black	500	1
8	AIS Receiver	Blunt	N/A	N/A	Red/Black	250	1
9							
10							
11							
12							
5 Vdc							
1	USB Hub	Coaxial	1.3 x 3.5 mm	Center +	White/Black	2000	5
2							

REVISED	DRAWN BY	DESCRIPTION
6/27/2012 Rev. 2	WHITHAM D. REEVE	DC Power Cabinet - Lower

8 7 6 5 4 3 2 1