

8

7

6

5

4

3

2

1

H

H

G

G

F

F

E

E

D

D

C

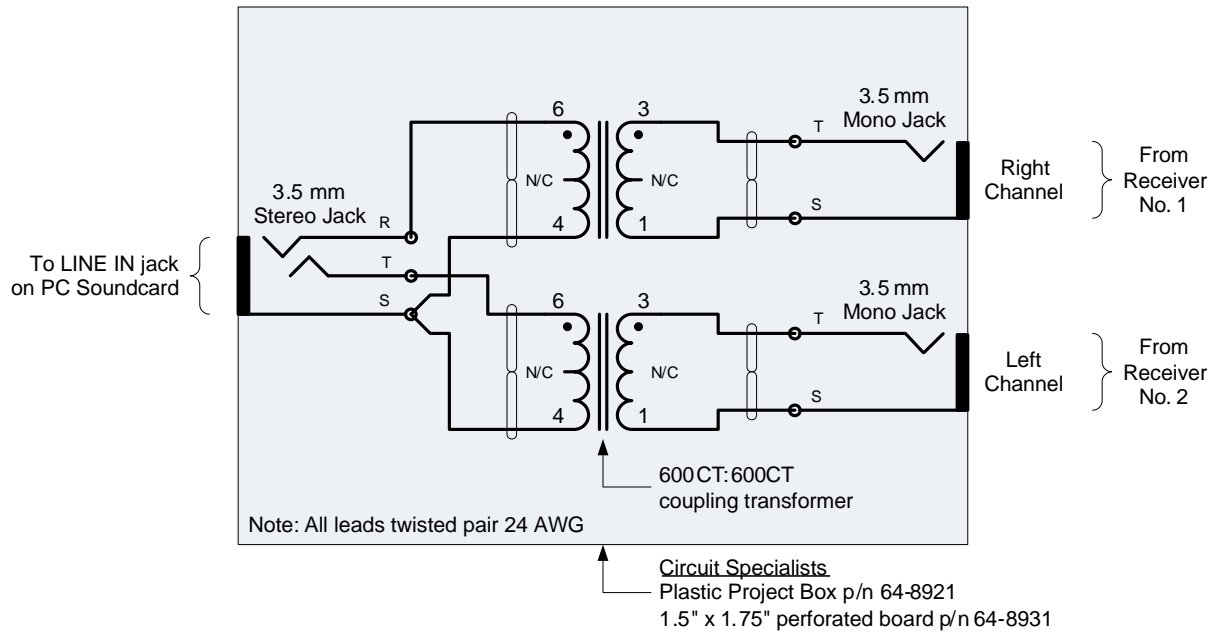
C

B

B

A

A



Coupling Transformer Specifications:

Manufacturer: Tamura (Microtran)

Part number: MET-31

Primary source impedance: 600 ohms CT

Secondary load impedance: 600 ohms CT

Primary dc current: 3 ma maximum

Operating power level: 50 mw at 300 Hz

Frequency response relative to 1 kHz: ± 2 dB, 300 Hz to 100 kHz

Longitudinal balance: 60 dB at 1 kHz

Primary dc resistance: 70 ohms $\pm 20\%$

Secondary dc resistance: 95 ohms $\pm 20\%$

Turns ratio: 1:1



DRAWN BY

WHITHAM D. REEVE

REVISED

2/13/2009

FILENAME

STEREO ADAPTER.VSD

DESCRIPTION

Stereo Adapter

8

7

6

5

4

3

2

1